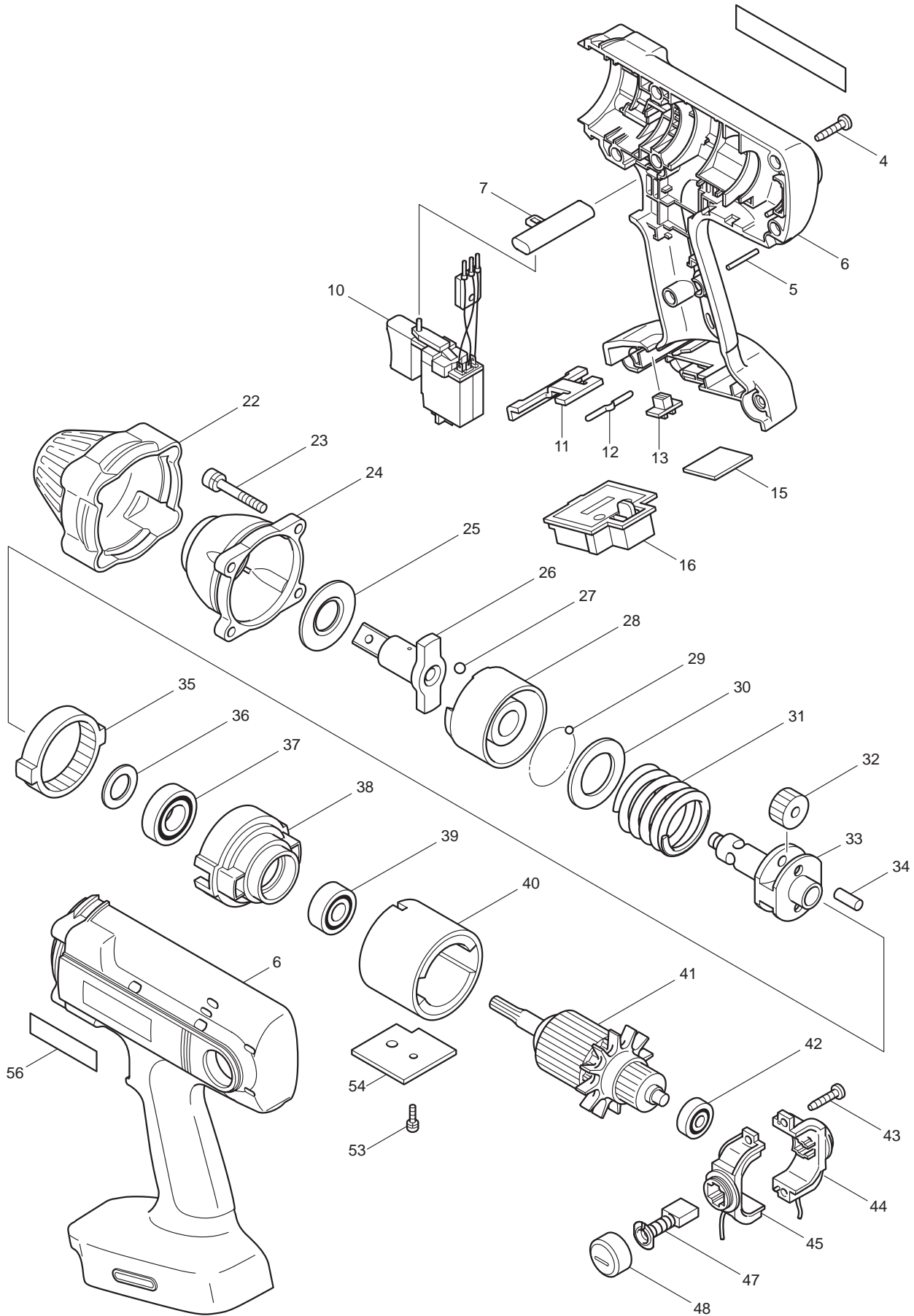




12 - 2009
BTW200SJE, BTW200SA, BTW200SH
24V IMPACT WRENCH



Item No.	Sub	Part No.	Description	Qty	Unit
1		322045-1	CLIP	1	PC.
2	1	323675-1	* PIN 4 (ROUND HEAD)	1	PC.
	2	268098-5	* PIN 4 (FLAT HEAD)	1	PC.
4		265995-6	TAPPING SCREW 4X18	9	PC.
5		256176-3	PIN 2.5	1	PC.
6		183257-9	HOUSING SET	1	SET
7		416079-5	F/R CHANGE LEVER	1	PC.
10		651994-8	SWITCH	1	PC.
11		344898-8	SUPPORT PLATE	1	PC.
12		232198-7	LEAF SPRING	1	PC.
13		417337-2	H/L CHANGE LEVER	1	PC.
15		413086-9	PLATE	1	PC.
16	1	643955-2	TERMINAL	1	PC.
	2	643983-7	TERMINAL	1	PC.
22		421757-4	BUMPER	1	PC.
23		266271-1	HEX. SOCKET HEAD BOLT M5X35	4	PC.
24		151981-2	HAMMER CASE COMPLETE	1	PC.
25		267054-2	FLAT WASHER 18	1	PC.
26	1	322276-2	* ANVIL - N/L/A	1	PC.
	2	324253-0	* ANVIL	1	PC.
27		216011-7	STEEL BALL 5.6	2	PC.
28		324125-9	HAMMER	1	PC.
29		216008-6	STEEL BALL 4	25	PC.
30		267088-5	FLAT WASHER 28	1	PC.
31		233079-8	COMPRESSION SPRING 30	1	PC.
32		227005-7	SPUR GEAR 24	2	PC.
33		324030-0	SPINDLE	1	PC.
34		256033-5	PIN 6	2	PC.
35		227004-9	INTERNAL GEAR 55	1	PC.
36		267215-4	FLAT WASHER 15	1	PC.
37		211237-6	BALL BEARING 6002LLB	1	PC.
38		417336-4	INTERNAL GEAR CASE	1	PC.
39		211061-7	BALL BEARING 6000LLB	1	PC.
40		638020-0	YOKE UNIT	1	PC.
41		519063-0	ARMATURE ASS'Y	1	PC.
	INC.		Item No. 39,42		
42		211021-9	BALL BEARING 607LLB	1	PC.
43		265995-6	TAPPING SCREW 4X18	2	PC.
44		643968-3	BRUSH HOLDER	1	PC.
45		643969-1	BRUSH HOLDER	1	PC.
47	1	191976-3	CARBON BRUSH CB-432 - N/L/A	1	SET
	2	194435-6	CARBON BRUSH CB-441 2PC/SET W/O ORIGIN	1	PC.
	3	195022-4	CARBON BRUSH CB-441 2PC/SET W/ORIGIN	1	SET
48		643941-3	BRUSH HOLDER CAP	2	PC.
53		911006-2	PAN HEAD SCREW M3X8	1	PC.
54		689070-8	HEAT SINK	1	PC.
56		819063-3	MAKITA LABEL	1	PC.
ACCESSORIES		- See catalogue or visit www.makita.ca for more accessories information -			
A01		193740-8	BATTERY BH2433 SET (BTW200SJE, BTW200SH)	1	PC.
		193737-7	BATTERY BH2420 SET (BTW200A, BTW200SA)	1	PC.

Item No.	Sub	Part No.	Description	Qty	Unit
A02	1	824593-1	PLASTIC CARRYING CASE	1	PC.
	INC.	417075-6	LATCH	2	PC.
	2	153634-9	PLASTIC CARRYING CASE	1	PC.
	INC.	417075-6	LATCH	2	PC.
A03	1	DC24SA	CHARGER DC24SA - N/L/A	1	PC.
	2	DC24SC	CHARGER DC24SC	1	PC.
A04		194485-1	FLAT PIN 4 SET	1	PC.
		268098-5	PIN 4 (FLAT HEAD)	1	PC.
		322045-1	CLIP	1	PC.
		345842-8	HOOK (Not available as an individual part)	1	PC.

SERVICE CHANGES

1. Changes on Pin 4, Clip, Anvil

Item No.	Description	Type 1	Type 2
1	Clip		322045-1
2	PIN 4	323675-1 (Round head)	268098-5 (Flat head)
26	Anvil	322276-2 (N/L/A)	324253-0

Above parts are completely interchangeable as a set.

*For easy conversion, use Flat Pin 4 Set (194485-1) (Item No. A07).

TYPE1:

Removing way of the socket:

Simply pull the socket off.

Installing way of the socket:

Push the socket onto the anvil of the tool until it locks into place.

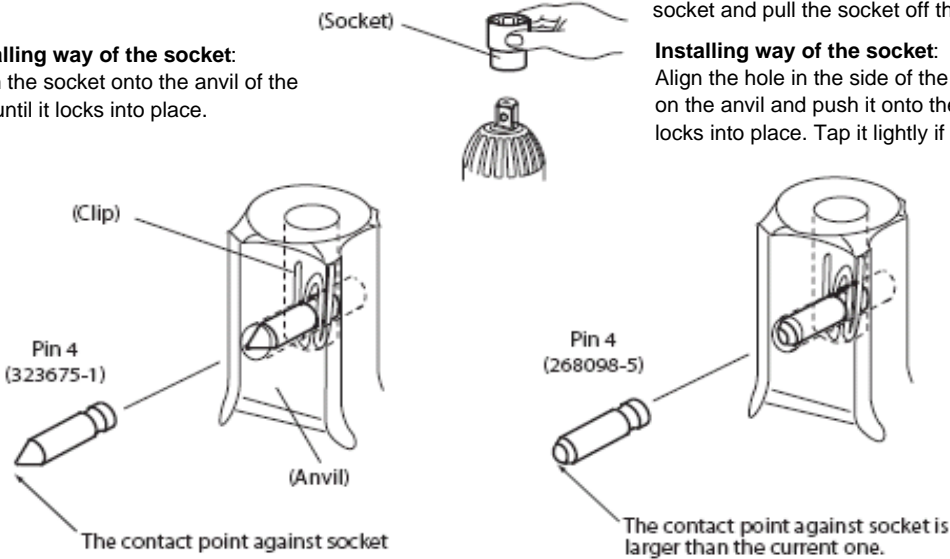
TYPE2:

Removing way of the socket:

Depress the detent pin through the hole in the socket and pull the socket off the anvil.

Installing way of the socket:

Align the hole in the side of the socket with the detent pin on the anvil and push it onto the anvil of the tool until it locks into place. Tap it lightly if required.



2. Changes on Hammer to secure Steel Ball on Hammer.

Item No.	Description	Type 1	Type 2
28	HAMMER	322459-4	324125-9

